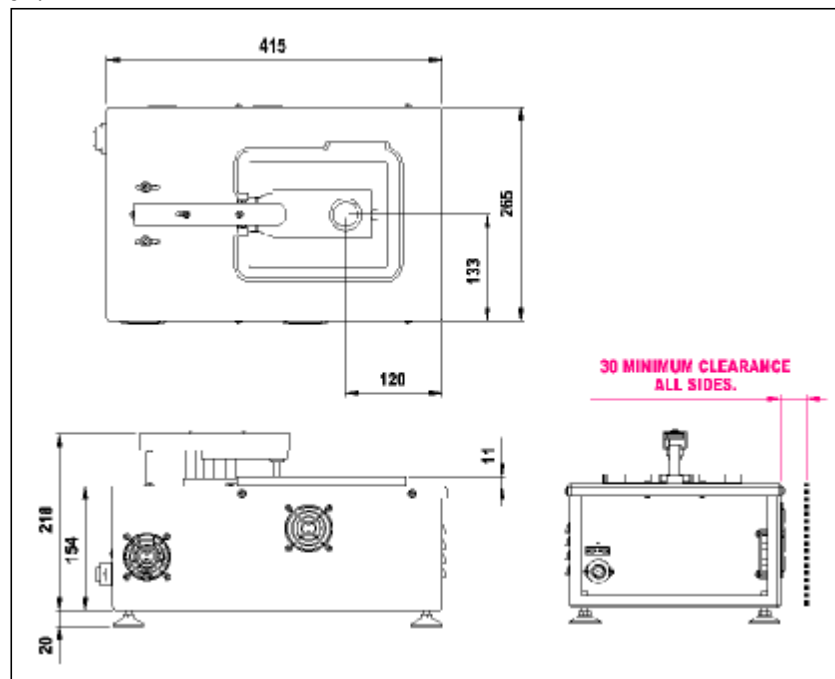


High temperature Modular Wave Soldering Machine, model HT-M3/LF



Eurotubes UK manufactures the HT-M3/LF modular bench top pumped wave soldering machine for leaded and lead-free solders, suitable for operation up to 550°C/1020°F. 2000 watts heating and PID temperature control maintain operating temperature within 4°C/8°F of setpoint. The modular design allows integration of the crucible module with soldering systems while maintaining a small footprint and lower profile.

Titanium solder nozzles can be selected from a standard range or custom-made. Applications include bobbin and odd-form component soldering, lead and component preparation.



## High temperature Modular Wave Soldering Machine, model HT-M3/LF

### Specification

Maximum operating temperature	550°C/1020°F	
Variation at set-point	± 4°C/± 8°F at steady state solder flow.	
Temperature control	CAL Controls P.I.D. controller, type 3300	
Solder types	Leaded and lead-free	
Solder capacity	1.0 litre	
Supply voltage	220 – 240 Vac 1ph, 50 – 60 Hz	
Maximum consumption	Total 10A; heaters 8A	
Overall size (height adjustment approx 20mm)	Crucible module 415 x 265 x 238mm high	Control module 330 x 210 x 150mm high
Weight (without solder)	17 kg	5 kg
Shipping weight	25 kg	
Dimensions for shipping	570mm x 400mm x 490mm high	
Heaters	2 x 1000W cartridge heaters	
Time to reach operating temperature	35 minutes (typ, 450°C/840°F target temperature)	
Construction	Casing: stainless steel Materials in contact with solder: cast iron, titanium	
Pump drive	Permanent magnet motor 60W output power. Drive enabled on reaching operating temperature.	
Controls	Footswitch, rotary speed control, temperature set-point.	
Operating modes	<p><b>Mode#1:</b> Default mode, operation at speed set on rotary control when footswitch is pressed.</p> <p><b>Mode#2:</b> Custom mode with selectable acceleration, deceleration and idle speed.</p> <p><b>Remote operation mode (factory fit option):</b> Remote selection of idle, run and maximum speeds.</p>	

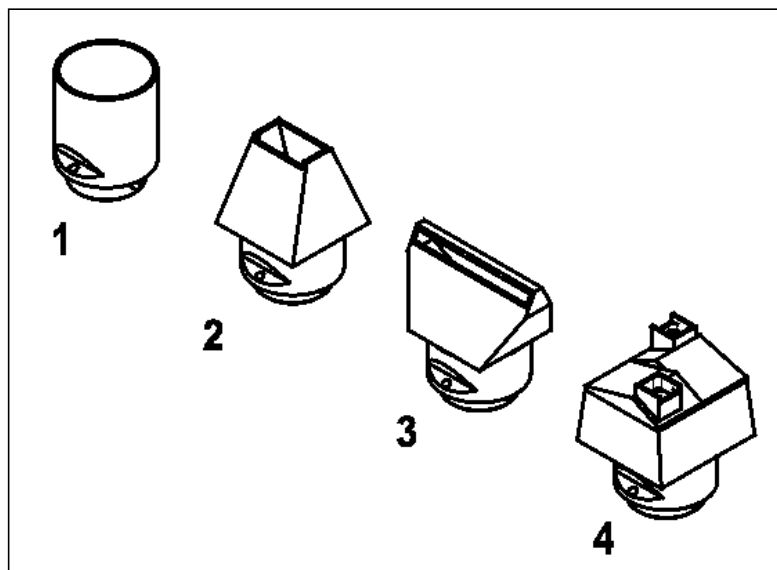
## High temperature Modular Wave Soldering Machine, model HT-M3/LF

### Solder nozzles

Solder nozzles are fabricated in grade 2 titanium. They are located by a bayonet fitting and locked in position with a screw. Precise and repeatable positioning is achieved by using fully machined locations for the solder nozzle and the solder pump and its location in the crucible.

The design and size of the nozzle will depend on each application. Stock nozzle sizes will accommodate a large number of general applications

Style	Standard sizes (mm)	Size range (mm)	Typical Applications
1. Circular	Ø25; Ø34; Ø36	Ø20 – Ø40	Lead and component hand solder dipping. Can be sloped to promote side flow.
2. Rectangular	40 x 3; 45 x 3 60 x 5; 70 x 5; 75 x 5 50 x 7; 70 x 7 75 x 8 10 x 10; 25 x 10; 60 x 10 20 x 20	100mm max length; 600mm <sup>2</sup> maximum cross section.	Bobbin terminal soldering.
3. Letter box	45 x 3 45 x 4; 60 x 4 30 x 5; 45 x 5; 60 x 5	Height 3 – 5mm; 300mm <sup>2</sup> maximum cross section.	'Curtain' soldering of terminals or components requiring single-sided soldering.
4. Custom design	Bobbin terminal soldering where precise solder flow is required. Odd-form component soldering on circuit boards.		



## High temperature Modular Wave Soldering Machine, model HT-M3/LF

We can advise on nozzle selection from component samples or drawings. Solder nozzles are normally made so that they project approximately 10mm above the rim of the solder crucible. Alternative heights can be specified. We do not normally recommend an increase of height of more than 15mm.

### **Other machine options.**

- Supervisory software for logging actual solder temperature. This requires a factory-fitted modification to the temperature controller.
- Manual, air/manual and air-operated handling devices for component loading.
- The standard length of the connection leads between the crucible and control modules is 1,5 metres. Other lengths can be specified.

Soldering machines are supplied with a mains connection lead to suit the country of use and full operating and maintenance instructions. They are backed by an extensive spare parts stock.

We reserve the right to make changes to the specification and construction of the soldering machine without notice.